

# AM 10 EDrive

Truck-mixer



Nominal volume	10 m <sup>3</sup>
Geom. drum volume	17,040 l
Water line	11,400 l



RECORD BREAKING ENGINEERING



# AM 10 EDrive Truck-mixer



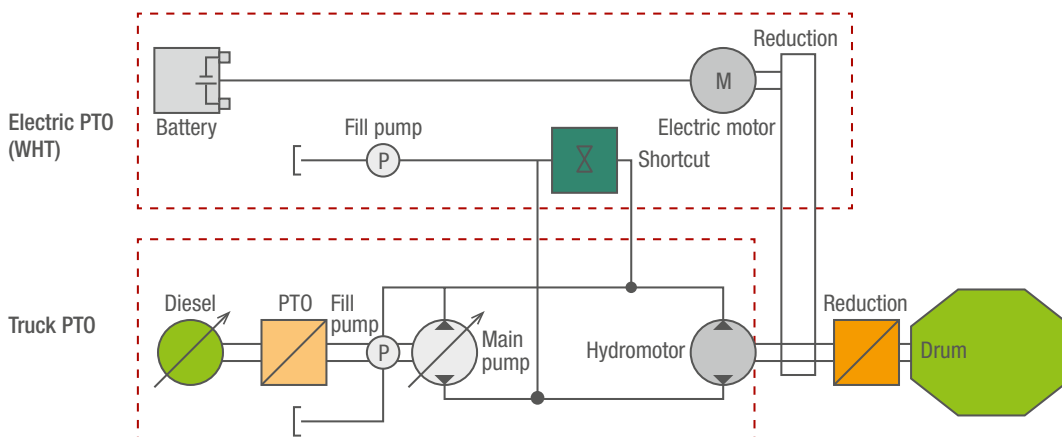
## Technical data



Mixer type		AM 10 FHC BL
Nominal volume	m <sup>3</sup>	10
Geom. drum volume	l	17,040
Water line	l	11,400
Fill ratio	%	58.7
Drum inclination	deg.	11.20
Drum speed	rpm	0 - 12/14
Drum diameter	mm	2,300
Mixer weight*	kg	3,990
Height of feed hopper**	mm	2,532
Clearance height**	mm	2,592
Mixer drive (developed with Wierda Hybrid Technologies)		
Engine power	kW	35
Battery capacity	kWh	20
Charging time	h	10 - 11
Charging voltage	V	230
Operating time max.	h	6
Weight	kg	475

\*Weight specifications when completely assembled / ready for operation according to DIN 70020, deviation +/- 5 % \*without base frame

### Functional diagram



Stetter truck-mixers. The benchmark for efficiency.



**SCHWING**  
**Stetter**

SCHWING GmbH  
Heerstrasse 9-27 · 44653 Herne, Germany  
Phone +49 23 25 - 987-0 · Fax +49 23 25 - 72922  
www.schwing-stetter.com · info@schwing.de

Stetter GmbH  
Dr.-Karl-Lenz-Strasse 70 · 87700 Memmingen, Germany  
Phone +49 83 31 - 78-0 · Fax +49 83 31 - 78 275  
www.schwing-stetter.com · info@stetter.de

Subject to technical and dimensional modifications. Illustrations are non-binding. The exact standard specification, the scope of delivery and the technical data are detailed in the offer.